

CMHR1752WE-28F 5 MP Ultra-low-light Turret Camera



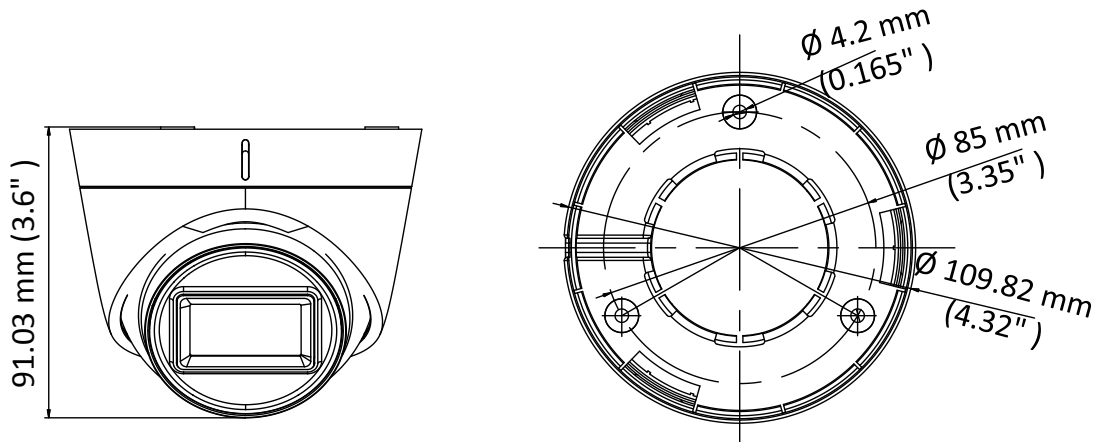
Key Features

- 5 MP high performance CMOS
- 2560 × 1944 resolution
- 2.8 mm fixed lens
- Matrix IR 2.0, smart IR, up to 197ft(60 m) IR distance
- 3D DNR, 130 dB true WDR
- 4 in 1 video output (switchable TVI/AHD/CVI/CVBS)
- IP67
- OSD Menu via UTC technology with Platinum DVR

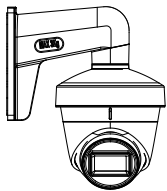
Specification

| Camera | |
|------------------------------|--|
| Image Sensor | 5 megapixel progressive scan CMOS |
| Signal System | PAL/NTSC |
| Resolution | 2560 (H) × 1944 (V) |
| Min. Illumination | Color: 0.003 Lux@(F1.2, AGC ON), 0 Lux with IR |
| Frame Rate | TVI: 2 MP@25fps, 2 MP@30fps, 4 MP@25fps, 4 MP@30fps, 5 MP@20fps AHD: 4 MP@25fps, 4 MP@30fps, 5 MP@20fps CVI: 4 MP@25fps, 4 MP@30fps CVBS: PAL, NTSC |
| Shutter Time | PAL: 1/25 s to 1/50,000 s NTSC: 1/30 s to 1/50,000 s |
| Lens | 2.8 mm fixed lens |
| Horizontal Field of View | 98° (2.8 mm) |
| Lens Mount | M12 |
| Day & Night | IR cut filter |
| Angle Adjustment (Bracket) | Pan: 0° to 360°, Tilt: 0° to 75°, Rotate: 0° to 360° |
| Synchronization | Internal synchronization |
| WDR (Wide Dynamic Range) | ≥ 130 dB |
| Menu | |
| AGC | Yes |
| Day/Night Mode | Auto/Color/BW (Black and White) |
| White Balance | Auto/Manual |
| BLC (Backlight Compensation) | Yes |
| WDR | Yes |
| 3D DNR | Level 1 to 9 |
| Privacy Mask | 4 programmable privacy masks |
| Motion Detection | 4 programmable areas |
| Language | English |
| Functions | Brightness, Sharpness, 3D DNR, Mirror, Smart IR |
| Interface | |
| Video Output | 1 HD analog output |
| Switch Button | TVI/AHD/CVI/CVBS |
| General | |
| Operating Conditions | -40 °C to 60 °C (-40 °F to 140 °F), humidity: 90% or less (non-condensation) |
| Power Supply | 12 VDC ±25% |
| Power Consumption | Max. 5.8 W |
| Protection Level | IP67 |
| Material | Enclosure: Plastic Main body: Metal |
| IR Range | Up to 197ft(60 m) |
| Communication | Up the coax, TVI output |
| Dimensions | ∅ 109.82 mm × 91.03 mm (∅ 4.32" × 3.6") |
| Weight | Approx. 310 g (0.68 lb.) |

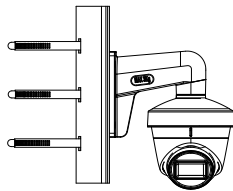
Dimension



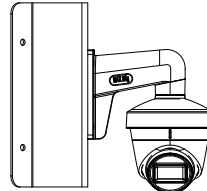
Accessory



LTB342-110T
Wall Mount



LTB378
Vertical Pole Mount



LTB379
Corner Mount